

# Soffianti a canali laterali GK602S Side channel blowers GK602S

General Europe Vacuum S.r.l.  
Via del Commercio, 9 - 20090 Buccinasco (MI) - Italy  
Tel. +39 02.48.84.11.20 - e-mail: info@gevac.com - www.gevac.com



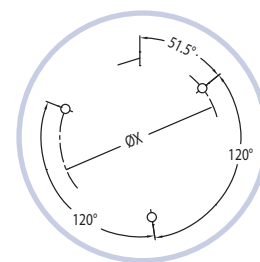
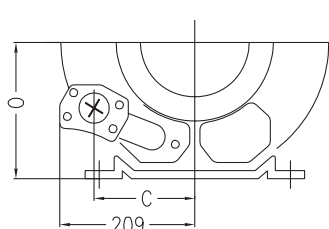
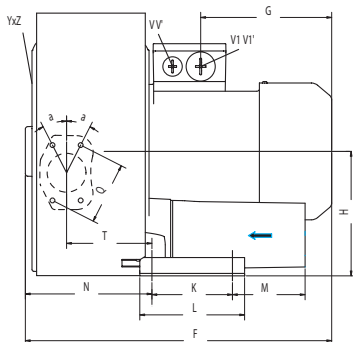
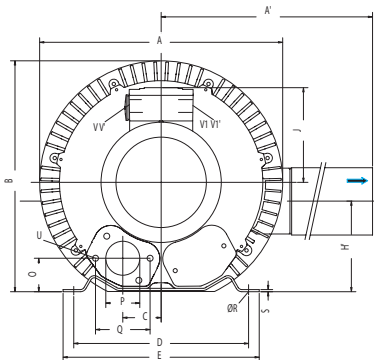
GENERAL EUROPE VACUUM S.r.l.  
Tecnologie Del Vuoto



Le soffianti a canali laterali sono caratterizzate da affidabilità e bassi costi di esercizio. Risultano silenziose, presentano compressione senza olio e senza pulsazione. Possono essere impiegate in pressione o in depressione per esercizio in continuo.

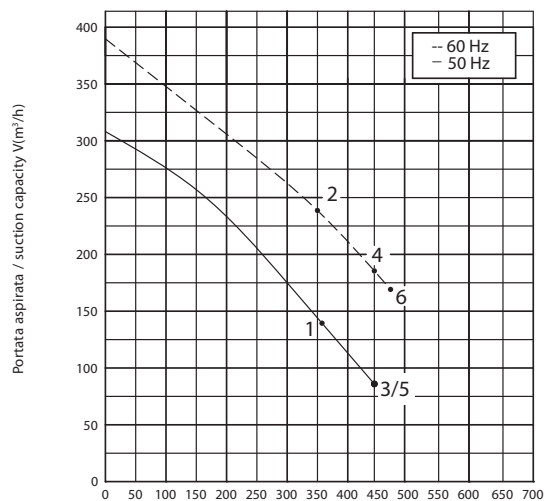
*Reliable, low running costs and noiseless side channels blowers running in compressions without oil and pulsation.  
Running both in pressure or suction in steady running cycle.*

## Dimensioni/Dimensions - mm



	Phase Fase	A	A'	B	C	D	E	F	G	H	J	K	L	M	N	O	P	Q	ØR	S	U	V	V'	YzZ	X-holes X-fori	ØX	
GK602SGEV4.0T	3	426	426	410	154	290	326	526	209	197	135	140	180	205	192	197	G2"	83	15	4.5	M8x17	M32x1.5	M32x1.5	M32x1.5	M10x20	51.5°/171.5°/291.3°	240
GK602SGEV5.5T	3	426	426	410	154	290	326	560	226	197	135	140	180	205	192	197	G2"	83	15	4.5	M8x17	M32x1.5	M32x1.5	M32x1.5	M10x20	51.5°/171.5°/291.3°	240
GK602SGEV7.5T	3	426	426	410	154	290	326	560	226	197	135	140	180	205	192	197	G2"	83	15	4.5	M8x17	M32x1.5	M32x1.5	M32x1.5	M10x20	51.5°/171.5°/291.3°	240

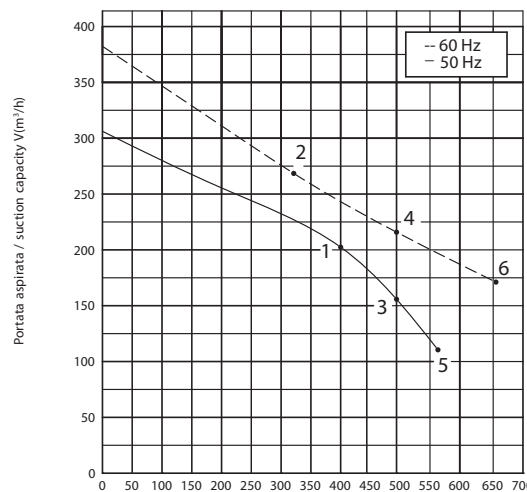
## ASPIRAZIONE / EXHAUST



Depressione / inlet vacuum (mbar rel.)

Tolleranza curve +/- 10%. I dati indicati possono essere variati senza preavviso.  
Tolerance of +/- 10%. The data may change without any notification.

## COMPRESSIONE / COMPRESSION



Pressione / pressure (mbar rel.)

Curve Curva n.	Model Modello n.	Frequency Frequenza (Hz)	Output power Potenza (kW)	Voltage Vtaggio (V)	Rated current Assorbimento (A)	Noise Rumorosità dB (A)	Weight Peso (Kg)
1	GK602SGEV4.0T	50	4.0	345-415 Δ 600-720Y	10.0 Δ/5.2Y	73	54
2	GK602SGEV4.0T	60	4.8	380-480 Δ 660-720Y	10.4 Δ/6.0Y	76	54
3	GK602SGEV5.5T	50	5.5	345-415 Δ 600-720Y	13.3 Δ/7.7Y	73	66
4	GK602SGEV5.5T	60	6.3	380-480 Δ 660-720Y	13.3 Δ/7.7Y	76	66
5	GK602SGEV7.5T	50	7.5	380-480 Δ 660-720Y	16.7 Δ/9.6 Y	73	73
6	GK602SGEV7.5T	60	8.6	380-480 Δ 660-720Y	17.3 Δ/10.0 Y	76	73