

Soffianti a canali laterali GK602P Side channel blowers GK602P

General Europe Vacuum S.r.l.
Via del Commercio, 9 - 20090 Buccinasco (MI) - Italy
Tel. +39 02.48.84.11.20 - e-mail: info@gevac.com - www.gevac.com



GENERAL EUROPE VACUUM S.r.l.
Tecnologie Del Vuoto

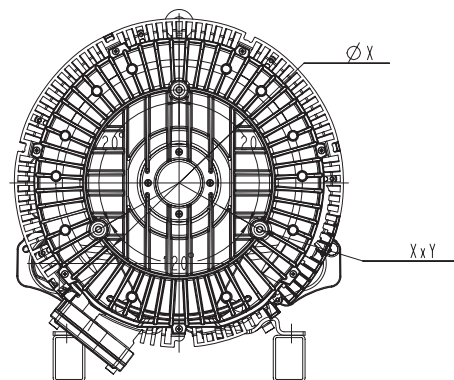
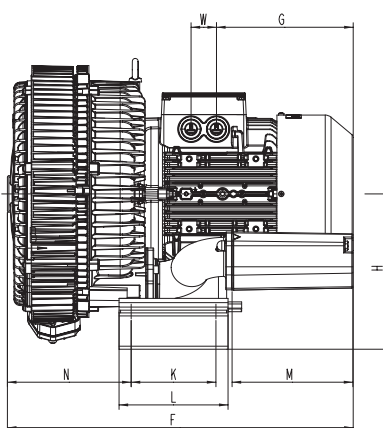
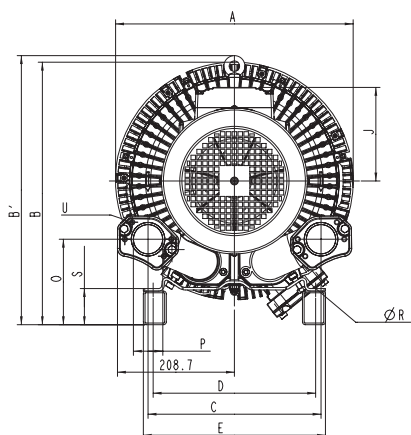


Le soffianti a canali laterali sono caratterizzate da affidabilità e bassi costi di esercizio. Risultano silenziose, presentano compressione senza olio e senza pulsazione. Possono essere impiegate in pressione o in depressione per esercizio in continuo.

Reliable, low running costs and noiseless side channels blowers running in compressions without oil and pulsation.

Running both in pressure or suction in steady running cycle.

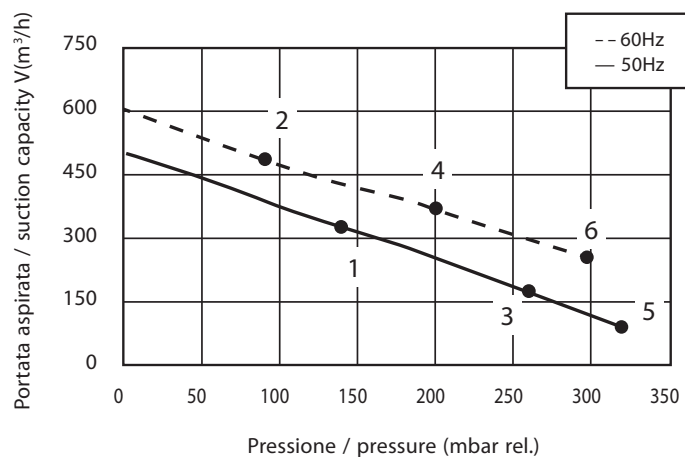
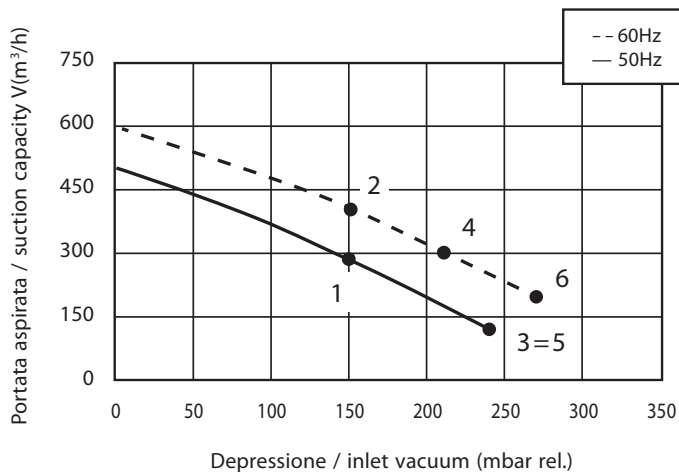
Dimensioni/Dimensions - mm



| | Phase Fase | A | B | B' | C | D | E | F | G | H | J | L | M | N | O | P | ØR | S | U | V | YxZ | X-holes | ØX X-fori |
|---------------|------------|-----|-----|-----|-----|-----|-----|-----|-----|-----|-----|-----|-----|-----|-----|-----|----|----|-------|-----------|--------|--------------|-----------|
| GK602PGEV4.0T | 3 | 424 | 469 | 480 | 125 | 290 | 325 | 526 | 209 | 257 | 149 | 180 | 84 | 204 | 112 | G2" | 15 | 65 | M8x17 | 4xM32x1.5 | M10x20 | 0°/120°/240° | Ø240 |
| GK602PGEV5.5T | 3 | 424 | 469 | 480 | 309 | 290 | 325 | 571 | 226 | 257 | 167 | 180 | 200 | 204 | 153 | G2" | 15 | 65 | M8x17 | 4xM32x1.5 | M10x20 | 0°/120°/240° | Ø240 |
| GK602PGEV7.5T | 3 | 424 | 469 | 480 | 309 | 290 | 325 | 571 | 226 | 257 | 167 | 180 | 200 | 204 | 153 | G2" | 15 | 65 | M8x17 | 4xM32x1.5 | M10x20 | 0°/120°/240° | Ø240 |

ASPIRAZIONE / EXHAUST

COMPRESSIONE / COMPRESSION



Tolleranza curve +/- 10%. I dati indicati possono essere variati senza preavviso.
Tolerance of +/- 10%. The data may change without any notification.

| Curve Curva n. | Model Modello n. | Frequency Frequenza (Hz) | Output power Potenza (kW) | Voltage Voltaggio (V) | Rated current Assorbimento (A) | Noise Rumorosità dB (A) | Weight Peso (Kg) |
|----------------|------------------|--------------------------|---------------------------|-----------------------|--------------------------------|-------------------------|------------------|
| 1 | GK602PGEV4.0T | 50 | 4.0 | 345-415 Δ 660-720Y | 9.0 Δ/5.2Y | 74 | 54 |
| 2 | GK602PGEV4.0T | 60 | 4.6 | 380-480 Δ 660-720Y | 9.0 Δ/5.2Y | 78 | 54 |
| 3 | GK602PGEV5.5T | 50 | 5.5 | 345-415 Δ 660-720Y | 13.3 Δ/7.7Y | 74 | 69 |
| 4 | GK602PGEV5.5T | 60 | 6.3 | 380-480 Δ 660-720Y | 13.3 Δ/7.7Y | 78 | 69 |
| 5 | GK602PGEV7.5T | 50 | 7.5 | 345-415 Δ 660-720Y | 16.7 Δ/9.6Y | 74 | 75 |
| 6 | GK602PGEV7.5T | 60 | 8.6 | 380-480 Δ 660-720Y | 17.3 Δ/10.0Y | 78 | 75 |